



- Screws on the supreme screen can be used to fit the camera bracket
- Slim design that is barely visible after installation of a camera

## SUPREME camera mount

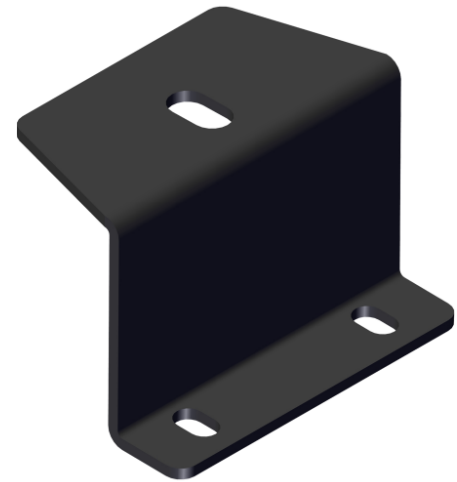
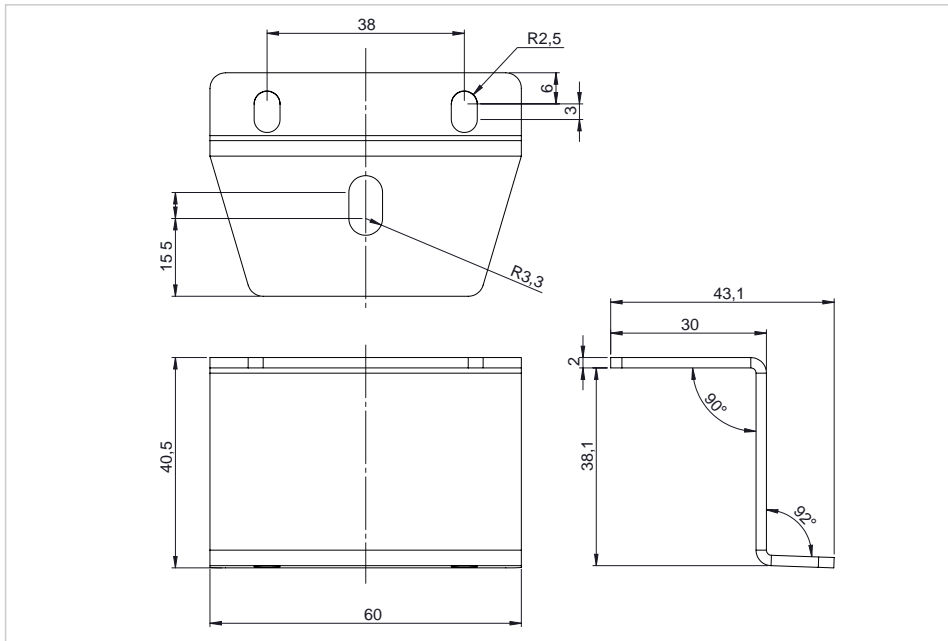
### for alternative cameras

- Fits on Legamaster Supreme screens
- Easy installation
- Designed for standard 1/4 inch camera screw
- Black powdercoated steel

Art.No. **7-804131**

GTIN **8713797106825**





## Specifications

Article dimensions	60 x 59 x 72 mm
Product colour	Black
Material of product	Steel
Mounting position	On the monitor (centered)
Mounting type	Fixed with screw
Connecting thread size	1/4 inch
Package contents	Mounting instruction
Screws included	No

## Logistics

GTIN	8713797106825
Article number	7-804131
Customs tariff number	940399109000
Quantity	1 piece(s)
Packing dimensions	60 x 38 x 45 mm
Weight (gross/net)	84 g / 80 g

## Product overview

Article name	Article number	GTIN/EAN	Minimum order quantity
Legamaster SUPREME camera mount for alternative cameras	7-804131	8713797106825	1